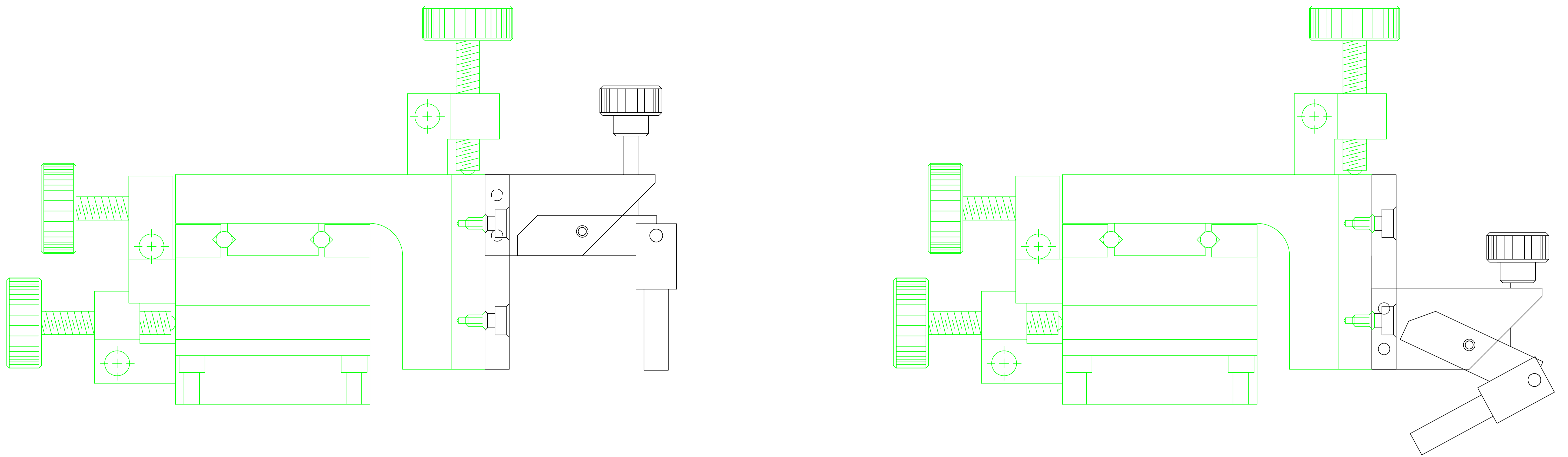


PART #20525 SHOWN IN EXTREMES



PART #20525 SHOWN WITH #20235  
CAN BE EXTENDED FOR LONGER REACH

