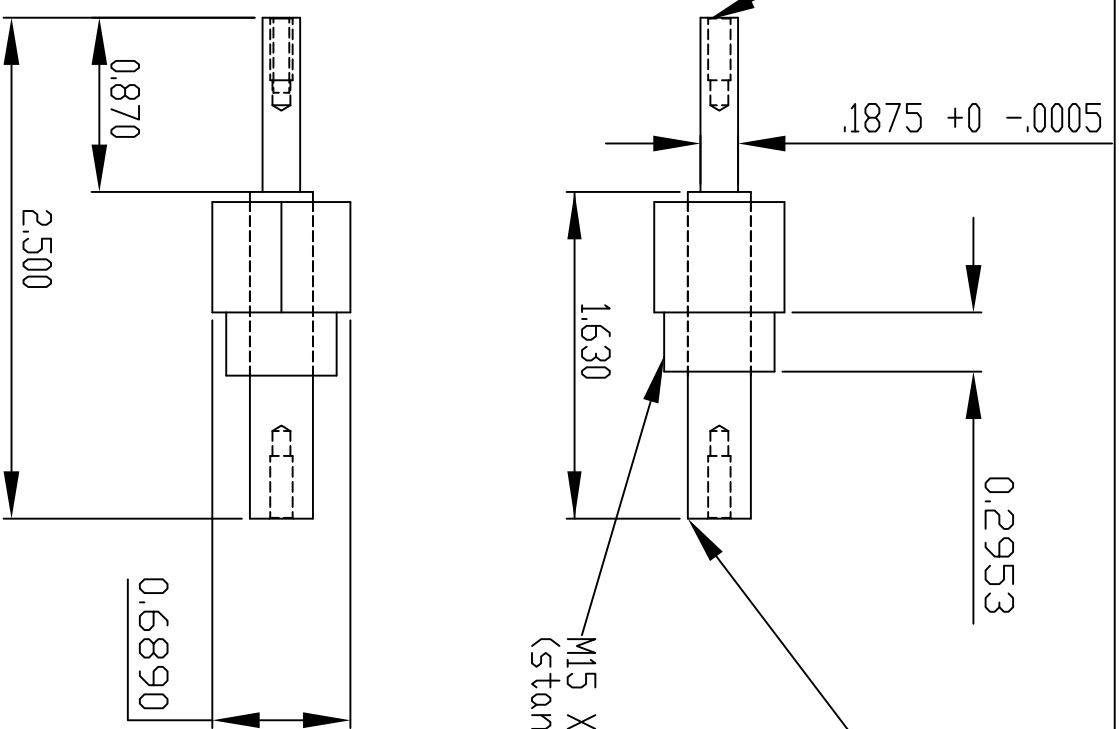


4-40 UNC-2B  
 .30 Deep  
 Typ 2 Plcs



M15 X 1  
 (Standard)

8 MM Dia.  
 2.5MM Pitch  
 Ballscrew

PROPRIETARY AND CONFIDENTIAL

THE INFORMATION CONTAINED IN THIS DRAWING IS THE SOLE PROPERTY OF QUATER RESEARCH AND DEVELOPMENT. ANY REPRODUCTION IN PART OR AS A WHOLE WITHOUT THE WRITTEN PERMISSION OF QUATER RESEARCH AND DEVELOPMENT IS PROHIBITED.

UNLESS OTHERWISE SPECIFIED:

DIMENSIONS ARE IN INCHES

TOLERANCES:

FRACTIONAL ±1/64

ANGULAR: ±.5 DEG

TYD PLACE DECIMAL ±.010

THREE PLACE DECIMAL ±.005

INTERPRET GEOMETRIC TOLERANCING PER: ISO 9001

MATERIAL:

FINISH:

DO NOT SCALE DRAWING

NAME	DATE
DRAWN	
CHECKED	
ENG APPR.	
MFG APPR.	
QA	

DRAWN		NAME		DATE	
CHECKED		DARRYL ELLIOTT		08/01/06	
ENG APPR.					
MFG APPR.					
QA					
COMMENTS:					
TITLE:					
SIZE	DWG.	NO.	REV		
A	Ball	Screw			
SCALE: 1:1	WEIGHT:	SHEET 1		OF 1	